

# FIDO'S®

## PREMIUM TWIN TANK HYDROBATH

*Congratulations on the purchase of your new Fido's Premium Twin Tank hydrobath. The instructions below are a guide to getting the best out of your hydrobath. Please feel free to contact us or visit our website [www.fidos.com](http://www.fidos.com) if you have any other questions or need further information.*

### INTRODUCTION TO THE HYDROBATH

The hydrobath is constructed of fibreglass. Fibreglass is lightweight, strong, durable and easily cleaned. A double gel coat has been applied to the fibreglass for extra protection.

Underneath the floor of the hydrobath is a ¾HP Davey chemical resistant pump, especially made for hydrobaths.

Built into the floor of the hydrobath are two separate 17 litre tanks. One of these holds fresh water (the holding tank) and the other is used for the shampoo and water solution (the wash tank). The holding tank has a porthole and contains a heating element. The wash tank is open. When a dog is in the hydrobath a fibreglass lid is placed over the wash tank.

A garden type hose (not included with hydrobath) is connected to the side of the bath to fill the holding tank. The holding tank has a ball valve arrangement to allow it to automatically refill with water.

**The controls are as follows:** a switch to turn the heater on and off; a switch to turn the pump on and off; a thermostat dial; and a lever to control which tank the water is being pumped from.

There are a number of ways in which the hydrobath can be used and each operator seems to adopt a way that suits them best. The basic premise involves pumping the warmed shampoo and water solution through the shower rose and recirculating this through the wash tank. The operator directs this pressurised solution through the dog's coat to remove dirt, fleas and excess sebum. Fresh heated water can then be pumped through the shower rose to wash the shampoo out of the coat. (See the "using the hydrobath" section on back for full details.)

The dog is removed from the hydrobath and the dirty water is drained and replaced with fresh clean water.

The usual method of operation involves using a fresh shampoo and water solution for each dog.



Quality  
Endorsed  
Company

### SETTING UP YOUR HYDROBATH WHEN IT FIRST ARRIVES

Your Fido's Premium Twin Tank Hydrobath should arrive ready to use.

All that needs to be done is to connect an external water source to the appropriate connection on the hydrobath and to plug the safety switch fitted electrical plug into a normal electrical socket.

*Note: in some cases the bath may be delivered in 2 pieces. There will be a special set of instructions in these circumstances!*

### PRODUCTS AVAILABLE FOR YOUR HYDROBATH



#### Fido's Shampoos & Rinses

A range of soap free shampoos, conditioners and rinses suitable for use with your hydrobath.

- Fido's Everyday Shampoo
- Fido's White and Bright Shampoo
- Fido's Black Gloss Shampoo
- Fido's Oatmeal & Baking Soda Shampoo
- Fido's Emu Oil Shampoo
- Fido's Tea Tree Oil Shampoo
- Fido's Crème Conditioner
- Fido's Herbal Shampoo
- Fido's Puppy and Kitten Shampoo
- Fido's Aloe Vera Shampoo
- Fido's Herbal Rinse
- Fido's Flea Shampoo
- Fido's Fre-Itch Rinse Concentrate
- Fido's Oatmeal Conditioner

#### Fido's Hydrobath Flush Disinfectant

A disinfectant especially formulated for use with the hydrobath.



We Do Care

#### CUSTOMER SERVICE

Shirley McCormack Phone 07 3808 1399

#### NATIONAL SALES MANAGER

Martin Davis Phone 0403 577 417

[www.fidos.com](http://www.fidos.com)

# USING THE HYDROBATH

## FILLING UP AND HEATING THE WATER IN THE HOLDING TANK

Plug the hydrobath into an electrical socket and turn the power on.

Connect an external water source (eg garden hose) to the connection at the side of the hydrobath (1). Turn the external water source tap on and the holding tank will fill up with fresh water. There is a float valve mechanism (2) (similar to that in your toilet) that automatically regulates the flow of water into this tank so you do not have to turn the external water source tap off until you have finished washing dogs for the day.

There is a heating element inside the holding tank (3). Switch this element on using the heater switch at the side of the hydrobath (4) (slide the white plastic switch downwards). Note that to protect the element we advise to wait until the holding tank is full before switching the heater on. A thermostat (5) next to this switch allows you to select the desired water temperature. We recommend somewhere between 25 - 30 degrees Celsius. A cut off switch inside the holding tank turns the heating element off if you run the water level too low.

It may take 5-10 minutes for the water in the holding tank to heat up.

## FILLING THE WASH TANK AND ADDING SHAMPOO

Have the cover of the wash tank off. This cover is the flat fibreglass floor piece.

Move the lever at the side of the hydrobath (6) to the left horizontal position.

Make sure that the outside drainage tap (17) is turned off to avoid emptying of the wash tank.

The drainage hole in the bottom of the wash tank (18) does not need a plug in it during any part of the process.

Switch the pump on. The pump switch (8) is the white plastic switch at the top of the bath near where the hose is connected.

The pump will draw the fresh, heated water from the holding tank into the shower hose and rose (9,10). Hold the shower hose and rose inside the hydrobath and direct the water into the wash tank. This process may be done faster and more efficiently (retaining more hot water) by temporarily unclipping the shower rose off the end of the hose. Turn the pump off once the wash tank is full.

Pour your shampoo directly into the wash tank (11) or onto the floor of the bath in the path of the water stream. About 20ml of undiluted Fido's shampoo is sufficient.

Slide the lid (12) back over the tank if this was removed during the filling process.

## WASHING THE DOG

Pull up the door (13). Put the dog inside the hydrobath. Replace the door.

If needed the dog's lead can be clipped to one of two restraining hooks in the floor of the bath (14).

Move the lever at the side of the hydrobath (6) to the right horizontal position. Switch the pump on (8).

The pump will draw the shampoo mixed with water solution from the wash tank into the shower hose and rose. This is used to wash the dog then recirculates through two filters (15,16) back into the wash tank and out the shower rose again.

A choice of shower roses (10) are available to allow reduced water flow for small, old or frail pets. Note that we do not recommend fitting a trigger device as this may cause damage to the pump if the pump is still on while the trigger is switched off for an extended period.

## RINSING THE SHAMPOO SOLUTION OFF THE DOG

Some products do not need rinsing out of the coat with fresh water. Fido's Herbal Rinse and Fido's Fre Itch Rinse Concentrate are examples. If these products have been used then the job is complete at this point.

However most shampoo products do need rinsing out of the coat with fresh water so this next step is necessary.

The wash tank is emptied by opening the outside tap (17). Gravity is generally enough to empty the wash tank so the pump doesn't have to be switched on. Close the outside drainage tap once empty.

Turn the lever (6) to the left horizontal position. Switch the pump on (8). Fresh, warmed water will be drawn from the holding tank and out the shower rose. Use this water to rinse the shampoo out of the dog's coat. The most effective way of doing this is to fill the wash tank again first then switch the lever (6) to the left horizontal position to recirculate the clean water through the dogs coat.

Remove the dog once finished and start the process again for the next dog. Remember that while you are washing the first dog the holding tank will automatically refill and heat the water needed for the next dog.

## VARIATIONS TO THE ABOVE PROCESS

If the dog is extra muddy or dirty it can be rinsed initially with fresh water, then washed with shampoo and water, then rinsed again with fresh water. This initial rinse with fresh water is done by drawing water from the holding tank and rinsing this over the dog whilst having the outside tap open. This means the initial extra rinse does not fill the wash tank but instead passes through the tank and drains straight to the outside.

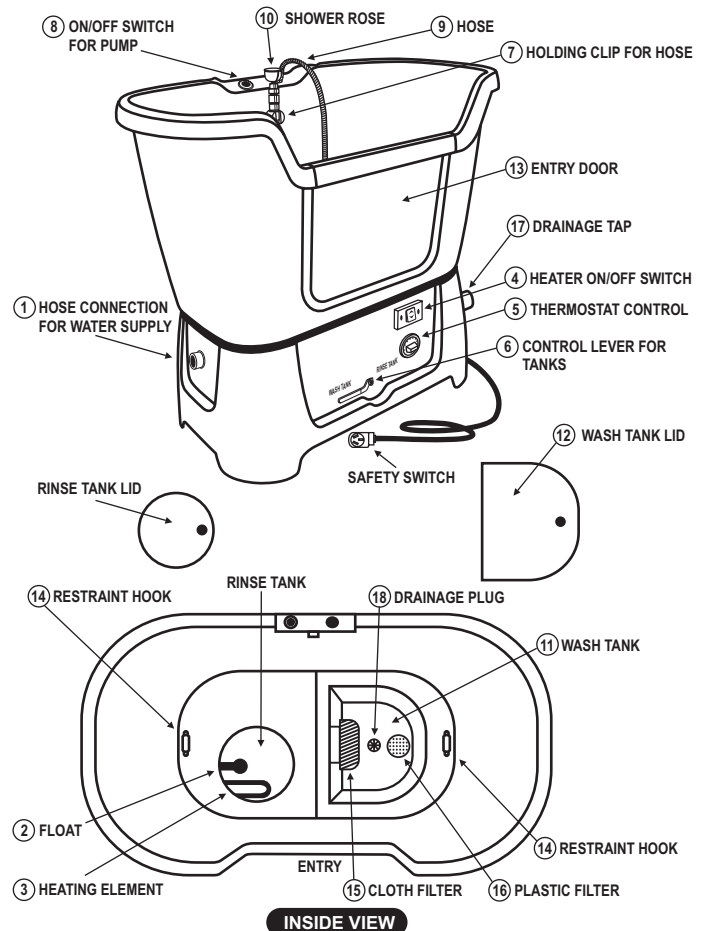
A water storage tank inside a van or trailer can be used instead of a garden tap.

## GENERAL CLEANING AND MAINTENANCE

At the end of the day fill the wash tank with water, add Fido's Hydrobath Flush Disinfectant and run the pump for 15 seconds. This cleans the pump, shower rose and drain lines.

Clean the hair and debris from the white cloth filter (15) on a regular basis (daily if washing several dogs). Replace white cloth filters when necessary.

Clean the plastic filter (16) once a week. Unscrew and clean.



**MAVLAB PTY LTD**

31-33 Rowland Street, Slacks Creek, QLD 4127

Ph: 07 3808 1399 Fax: 07 3808 4328

E: info@mavlab.com.au



We Do Care

**FIDO'S**®

www.fidos.com